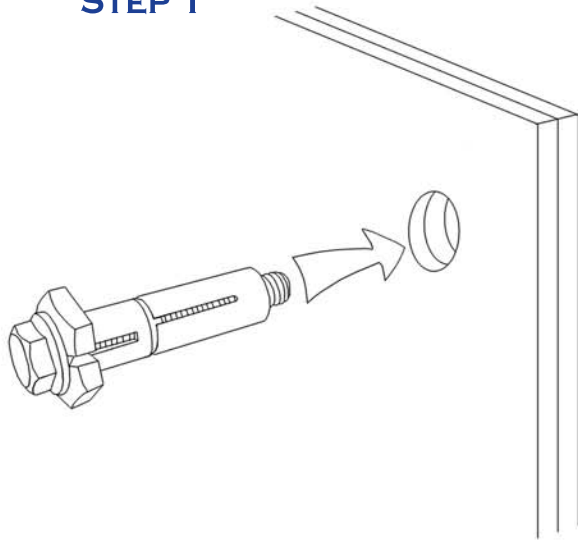
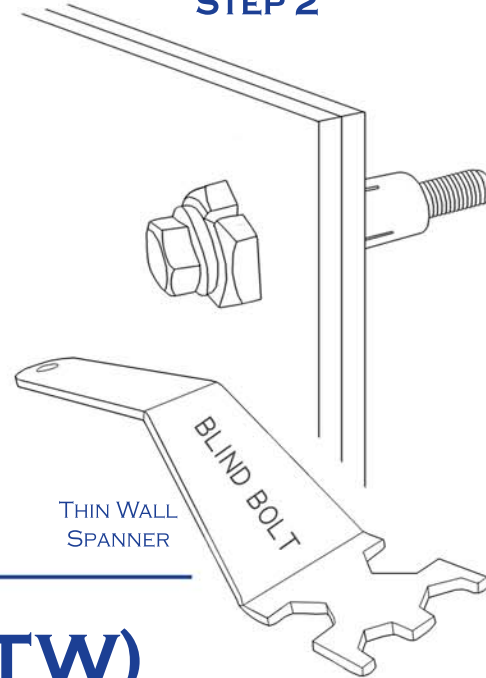


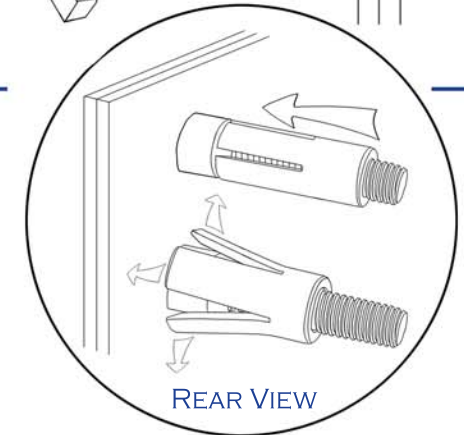
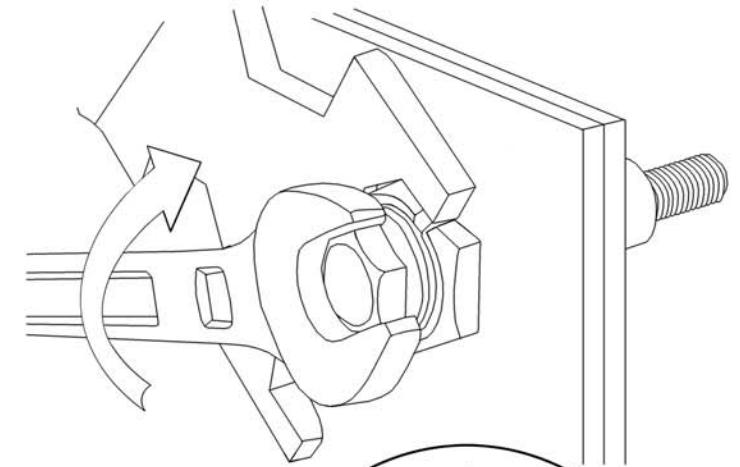
STEP 1



STEP 2



STEP 3



THIN WALL BOLT (TW)

INSTALLATION INSTRUCTIONS

STEP 1

1. Using the table opposite drill a fixing hole in both components to the correct diameter.
2. Insert the Thin Wall into the fixing hole making sure that the components of the bolt are finger tight.

STEP 2

1. Ensure that the Thin Wall bolt has been fully inserted into the fixing hole.
2. Using a Thin Wall Spanner, (Obtainable from The Blind Bolt Company Ltd,) brace the activating collar of the bolt.

STEP 3

1. Using a second spanner tighten the Thin Wall bolt until the anchoring legs have sufficiently expanded at the rear of the fixing. (See rear view illustration.)

Bolt Part No	Hole Diameter
TW6ZY	8
TW8ZY	13
TW10ZY	17

All dimensions are stated in mm unless noted otherwise.